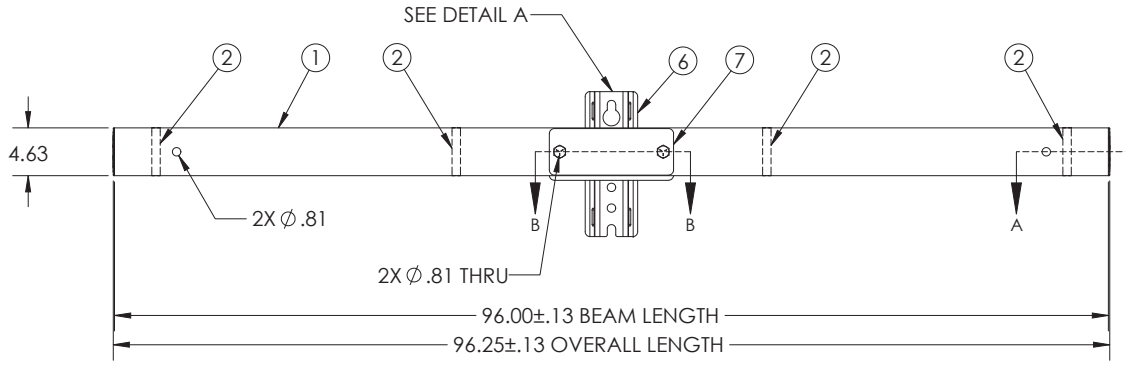
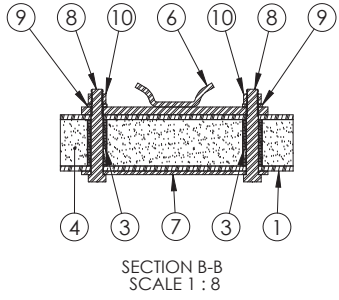
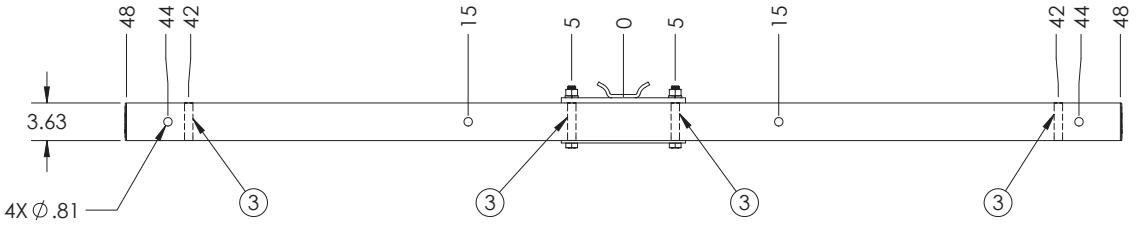
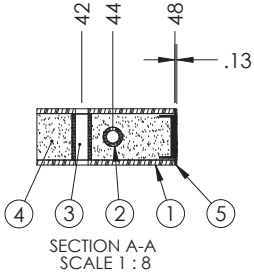
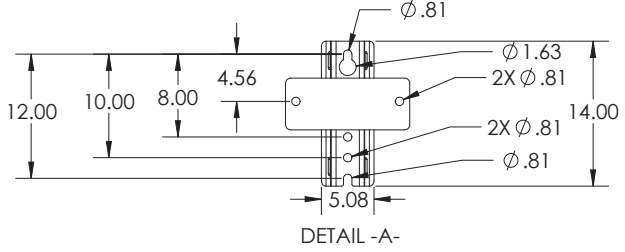


ITEM NO.	PART NUMBER	DESCRIPTION	DESCRIPTION 2	QTY
1	FB-096-3000-2	BEAM, PULTRUDED STOCK	SERIES 3000 x 96 in, GRAY	1
2	TG0813-0041	BUSHING	13/16 in x 3-15/16 in	4
3	TG0813-0042	BUSHING	13/16 in x 3 in	4
4	FOAM	-	-	1
5	EC30-0002-2	END CAP	SERIES 3000, GRAY	2
6	TM-0047	MOUNT ASSEMBLY, TANGENT	HDLH	1
7	PL-0001	PLATE, FRONT	-	1
8	HB0750-0001	HEX BOLT	3/4 in - 10 x 5-1/2 in	2
9	LW0750-0001	LOCK WASHER	3/4 in	2
10	HN0750-0001	HEX NUT	3/4 in - 10	2



REVISIONS				
ECO	REV.	DESCRIPTION	DATE	INITIALS
	2.1	REDRAWN IN SOLIDWORKS	2013-02-11	RAF
1369	2.2	UPDATE DRAWING FORMAT	2016-01-21	RAF
3049	2.3	ADD LOAD RATINGS	2017-03-28	RAF
6499	2.4	UPDATE DRAWING FORMAT	2023-12-14	NDH



- NOTES:
- CENTER OF MOUNT HOLE(S) TO HOLES TOLERANCE ± 0.06
 - CALCULATED AVERAGE ULTIMATE VERTICAL LOAD = 9,750 LBS PER WIRE, 2 WIRES AT ± 44
= 5,000 LBS PER WIRE, 4 WIRES AT ± 15 & ± 44
 - CALCULATED AVERAGE ULTIMATE LONGITUDINAL LOAD = 6,500 LBS PER WIRE, 2 WIRES AT ± 44
= 3,250 LBS PER WIRE, 4 WIRES AT ± 15 & ± 44
 - CALCULATED AVERAGE ULTIMATE TRANSVERSE LOAD = 12,000 LBS PER SIDE
 - GEOTEK RECOMMENDS MAXIMUM APPLIED LOAD PER WIRE DOES NOT EXCEED 50% OF THE AVERAGE ULTIMATE STRENGTH PER WIRE OF THE CROSSARM.

---UNLESS OTHERWISE SPECIFIED---
 DIMENSIONS ARE IN INCHES
 INTERPRET DIM AND TOL PER ASME Y14.5-2009
 ANGULAR: MACH $\pm 2^\circ$
 BEND $\pm 2^\circ$
 ONE PLACE DECIMAL ± 0.1
 TWO PLACE DECIMAL ± 0.02

STATE: RELEASED 2023-12-20
 DRAWN: RAF 2013-02-11
 CHECKED: AJH 2023-12-15
 APPROVED: AJH 2023-12-20
 REPLACES: TB3000-96-03X

THIRD ANGLE PROJECTION

PROPRIETARY AND CONFIDENTIAL
 THE INFORMATION CONTAINED IN THIS DRAWING IS THE SOLE PROPERTY OF GEOTEK. ANY REPRODUCTION IN PART OR AS A WHOLE WITHOUT THE WRITTEN PERMISSION OF GEOTEK IS PROHIBITED.

CUSTOMER SIGNATURE: _____ DATE: _____

-REFERENCES-
 pupicrossarms.com/warranty
 geotek.com/termsandconditions

1421 SECOND AVE NW
 STEWARTVILLE, MN 55976
 (800) 533-1680
 www.geotek.com

DESCRIPTION:
 TANGENT ASSEMBLY, SEREIS 3000
 96 in, RUS 03

SIZE: DWG. NO. **B TB300009603X2**
 SCALE: 1:12 | WEIGHT: 56 LBS

BEAM COLOR: GRAY
 REV: 2.4

SHEET 1 OF 1